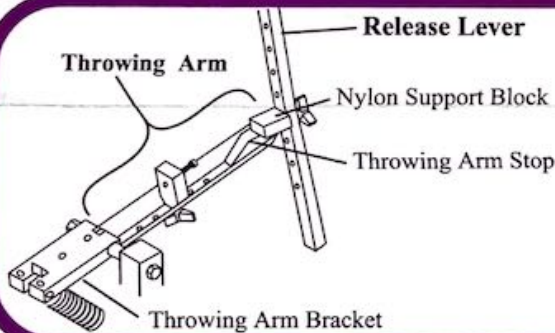
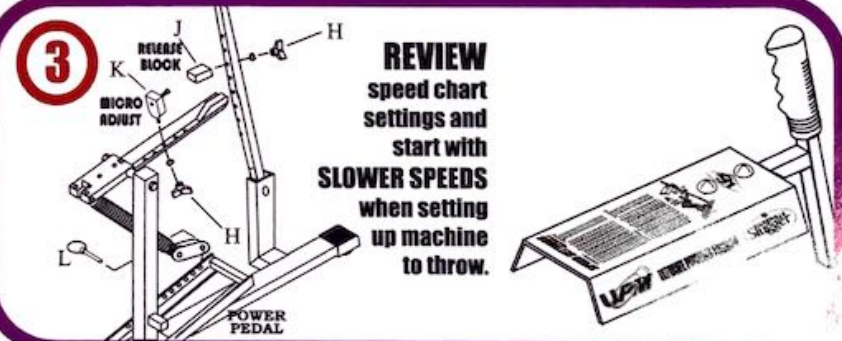
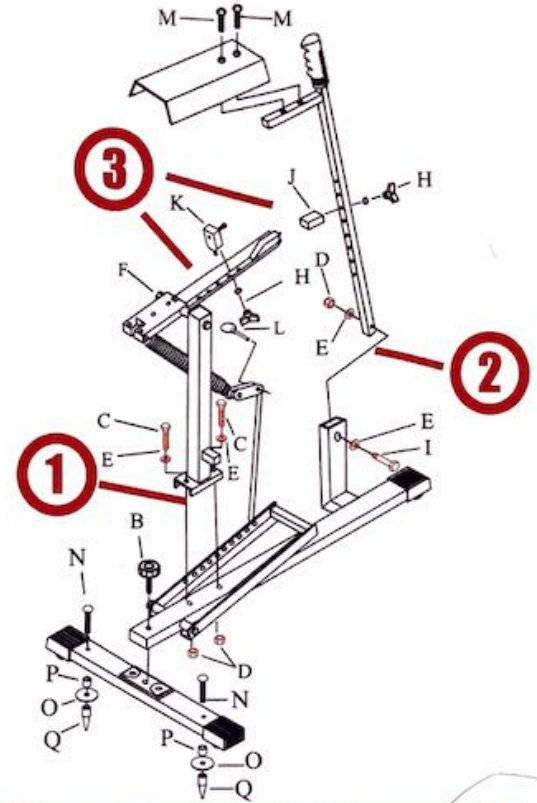
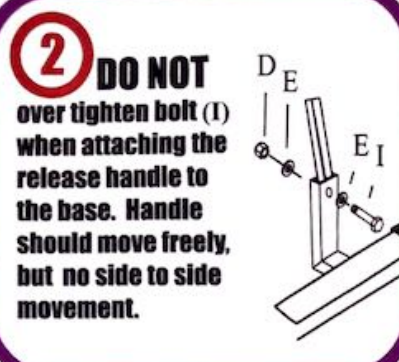
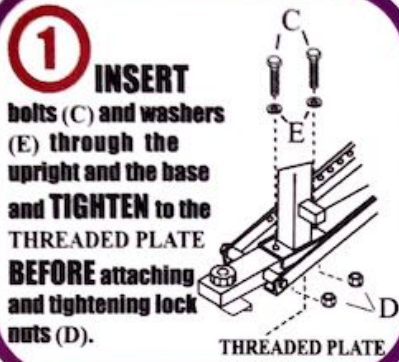
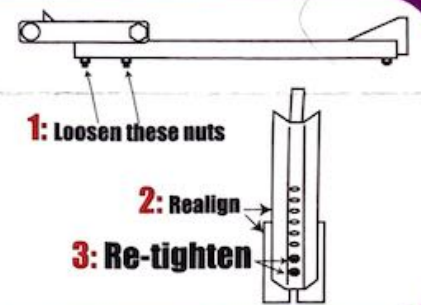


PLEASE READ BEFORE USING THE PITCHING MACHINE

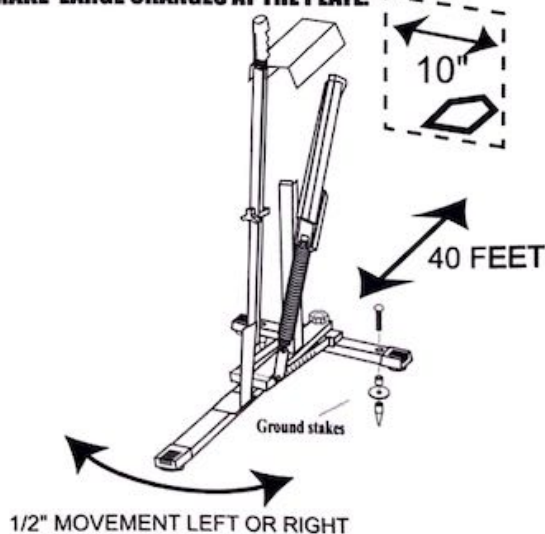
QUICK REFERENCE & IMPORTANT INFORMATION FOR ACCURATE PITCHES



CHECK the Throwing Arm alignment by pulling the arm back into the cocked position and check to see if the Throwing Arm Stop is centered under the Nylon Support Block. **IF NOT, 1: Loosen the Throwing Arm Bracket and 2: Realign the arm then 3: Re-tighten.**



AIM PITCHING MACHINE IN SMALL ADJUSTMENTS AND ANCHOR SECURELY. SMALL MOVEMENTS CAN MAKE LARGE CHANGES AT THE PLATE.



PREVENT movement by using ground stakes (Included). If using machine on soft ground or sand; Use long carriage bolts in place of spikes. Louisville Slugger™ Ground Anchors can be purchased for placing machine in a stationary location.

For an ACCURATE and CONSISTENT throw:



1. Pull Throwing Arm back and push Release Lever forward to engage. Place ball on the Throwing Arm.

2. Press the foot pedal (Power Pedal) down with even weight across the pedal.



3. Pull Release Handle with smooth motion, Do Not Jerk.

