

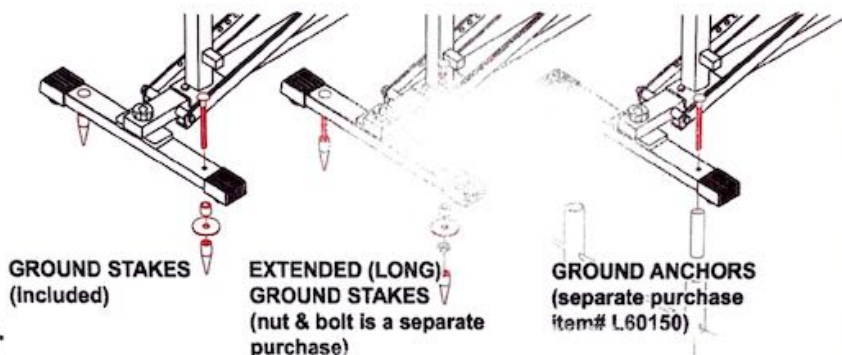


Models: L60111 & L60222

SETUP

AIM YOUR PITCHING MACHINE AND ANCHOR SECURELY.

GROUND STAKES are included to secure the pitching machine on most surfaces. However if using on loose soil or the machine is jumping you may need to obtain longer bolts and add a nut to make an EXTENDED STAKE (shown).



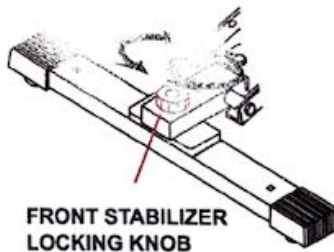
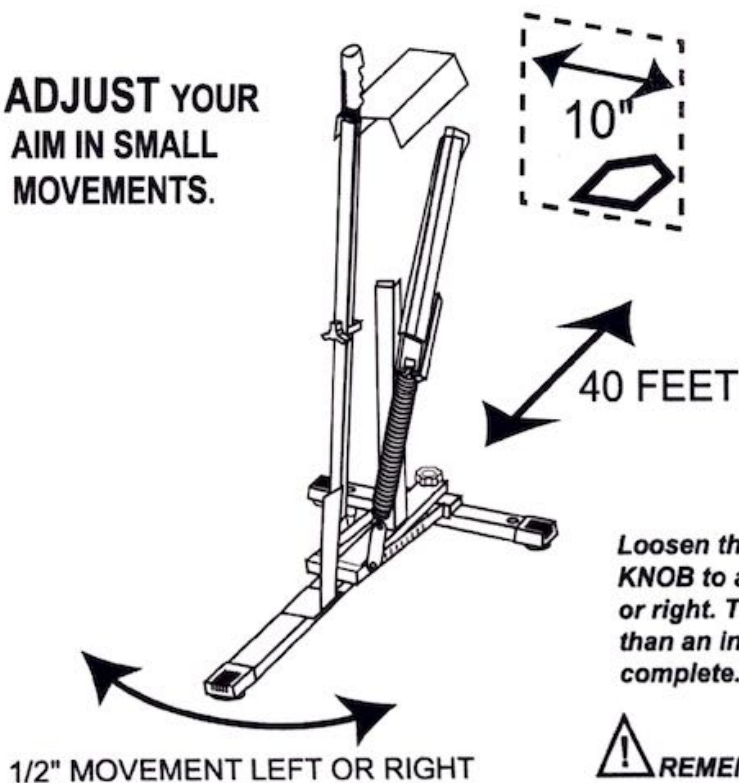
GROUND STAKES (Included)

EXTENDED (LONG) GROUND STAKES (nut & bolt is a separate purchase)

GROUND ANCHORS (separate purchase item# L60150)

Removable GROUND ANCHORS can be purchased for secure permanent locations.

ADJUST YOUR AIM IN SMALL MOVEMENTS.



FRONT STABILIZER LOCKING KNOB

Loosen the FRONT STABILIZER LOCKING KNOB to angle the pitching machine left or right. Turn the pitching machine less than an inch at a time. Re-tighten when complete.

! REMEMBER that turning the pitching machine 1/2" will move the pitch 10" at a distance of 40 feet.

! **WARNING:** Never operate the machine if parts are missing or broken. For adult operation only.

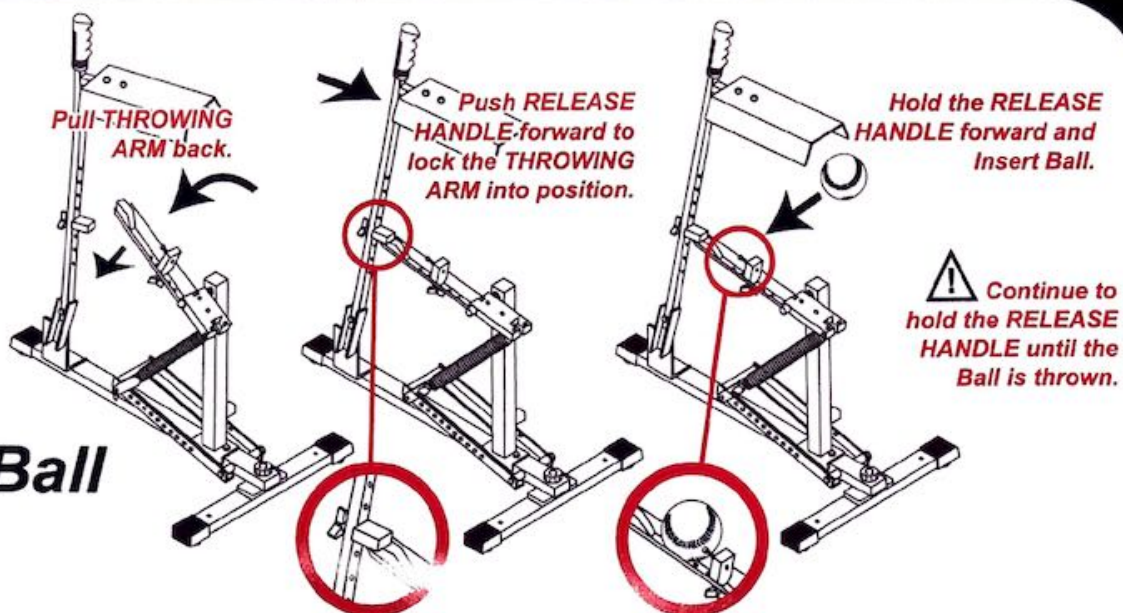


ULTIMATE PITCHING MACHINE
USER'S GUIDE

THROWING as easy as 1..2..3..

1

Load the Ball



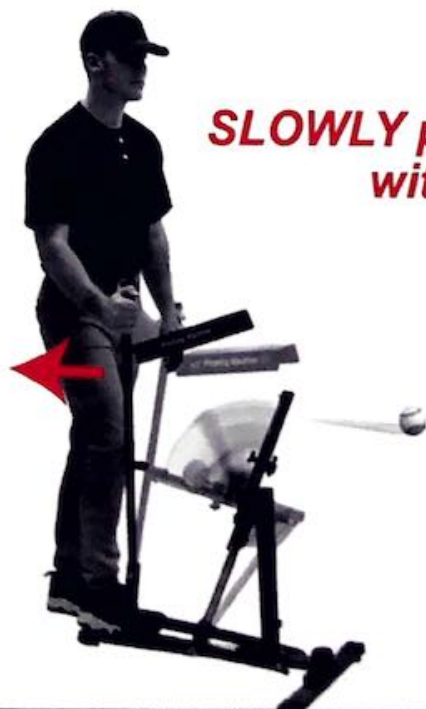
2

Step on the POWER PEDAL



3

Release the Pitch



SLOWLY pull the RELEASE HANDLE with a smooth motion for the most accurate pitches.

⚠ WARNING:

Never load or pitch the ball if a person is standing near the machine or in the path of any moving parts of the machine.

Frequently Asked Questions

How do I move a pitch up and down in the strike zone?

Turning the screw on the MICRO ADJUSTMENT will raise and lower the pitch.



How do I raise or lower a pitch that is out of the strike zone?

Reposition the micro adjustment and/or the release block.

(Start with settings listed on the Speed Chart)



MICRO ADJUST

RELEASE BLOCK

How do I throw a fly ball?

Start with settings shown on the right and adjust as desired.



Fly Balls



MICRO ADJUST



RELEASE BLOCK



POWER PEDAL

5

FLY BALL 11/12*

How do I throw a ground ball?

Start with settings shown on the right and adjust as desired.



Ground Balls



MICRO ADJUST



RELEASE BLOCK



POWER PEDAL

1

GROUND BALL 11/12*

* 12 on 160222 only

How do I extend the life of my SPRING?

Never store your machine with the THROWING ARM pulled back and locked into position. We recommend that you replace your SPRING at the beginning of each season to ensure consistent throwing.



Where can I buy replacement SPRINGS?

You can find replacement SPRINGS at many fine sporting goods outlets, or you may order SPRINGS and other parts online at: www.gamemasterathletic.com/shop.htm



Where can I find other Louisville Slugger® licensed brand training equipment or accessories?

Look for other items at fine sporting goods outlets or for a list of local retailers email us at info@gamemasterathletic.com

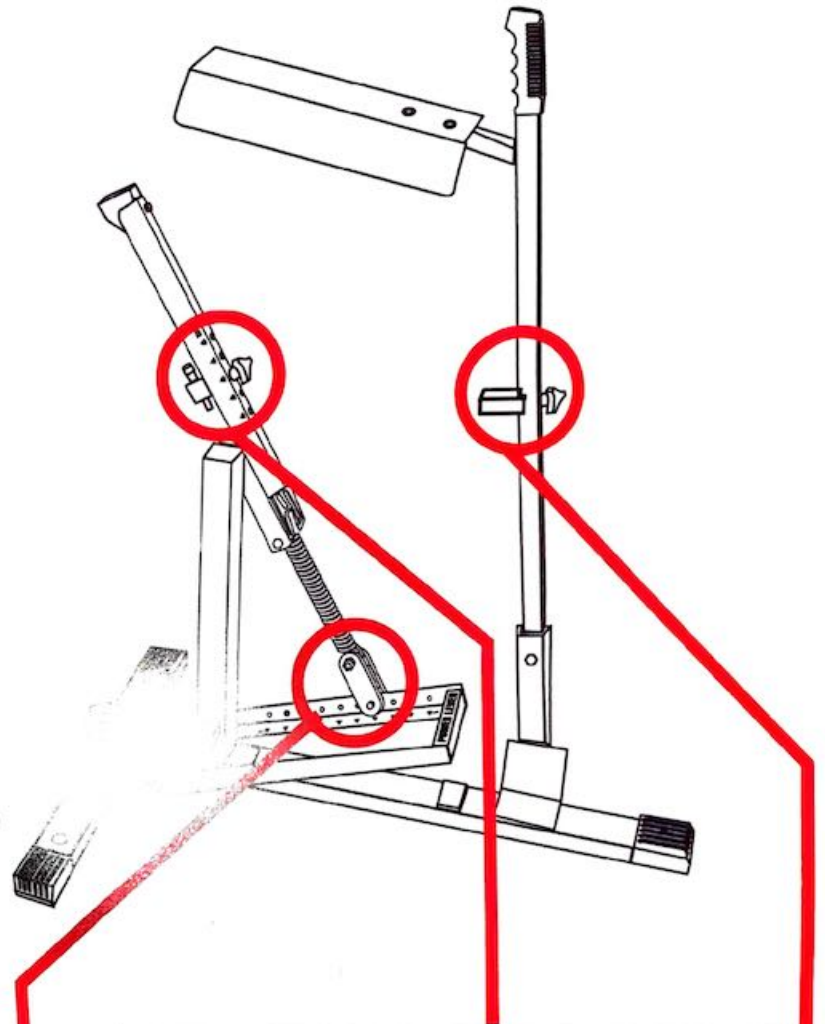


Manufactured by: **GAME MASTER** www.gamemasterathletic.com

QUICK speed adjustments

SPEED is controlled by the **SPRING** setting on the **POWER PEDAL** and by the use of the **HEIGHT** adjustments on the **MICRO ADJUSTMENT** and the **RELEASE BLOCK**.

The Chart on the lower right shows basic speed settings for baseball and softball pitches. You will need to test your settings for various types of balls.



To set the **POWER PEDAL**: Remove the **PULL PIN**, position the spring over the desired hole location and reinsert the **PULL PIN**

POWER PEDAL **PULL PIN**

NEVER adjust the **POWER PEDAL** when the **THROWING ARM** is pulled back and locked into position.



MICRO ADJUST

To set the **MICRO ADJUST** and **RELEASE BLOCK**: Remove knob and move to desired hole location. Replace and re-tighten knob.



RELEASE BLOCK



*12 on L60222 only

SEE SPEED CHARTS ON YOUR MACHINE FOR SETTINGS FOR TYPE OF BALL AND SPEED DESIRED